

1

2

3

4

5

6

A

A

B

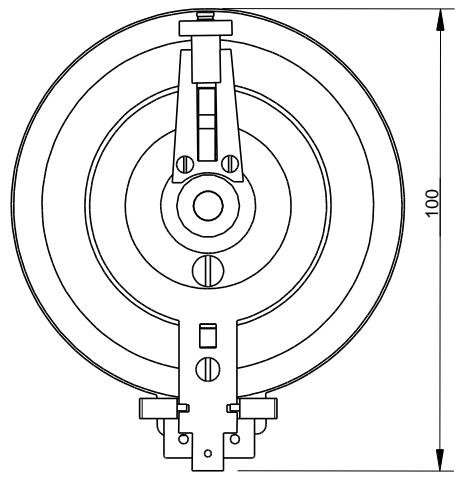
B

C

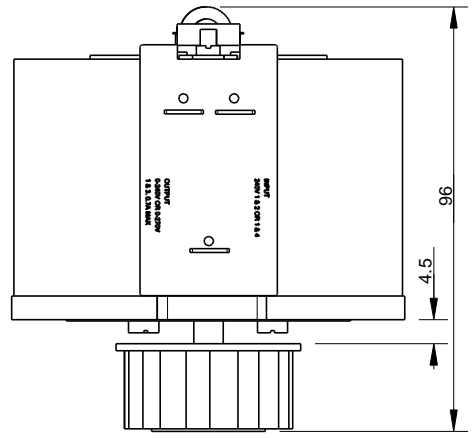
C

D

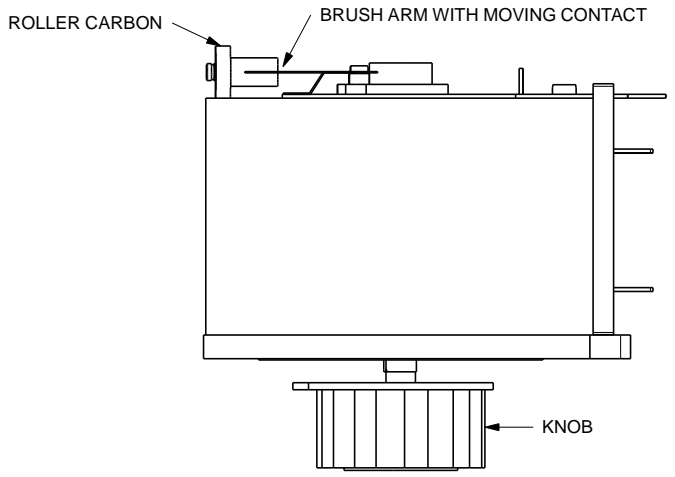
D



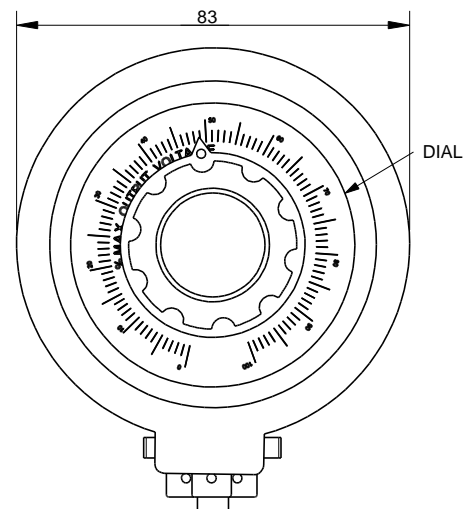
TOP VIEW



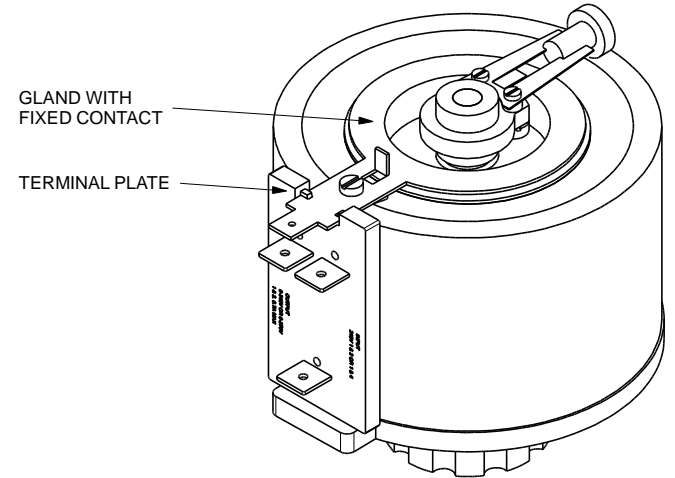
FRONT VIEW




LHS VIEW



BOTTOM VIEW



ISOMETRIC VIEW

CLIENT:- 	Drawn RK	Checked MR	Drawn Date 14-4-2015	Approved By - Date MR 15-4-2015	Scale NTS
	TITLE:- FLUSH / OPEN / BACK OF PANEL MOUNTING TYPE: 0.7F-1				SHEET No: 1-1
DWG NO:- VAC/VAR/GA/1A/42015					

1

2

3

4

5

6