

1

2

3

4

5

6

A

B

C

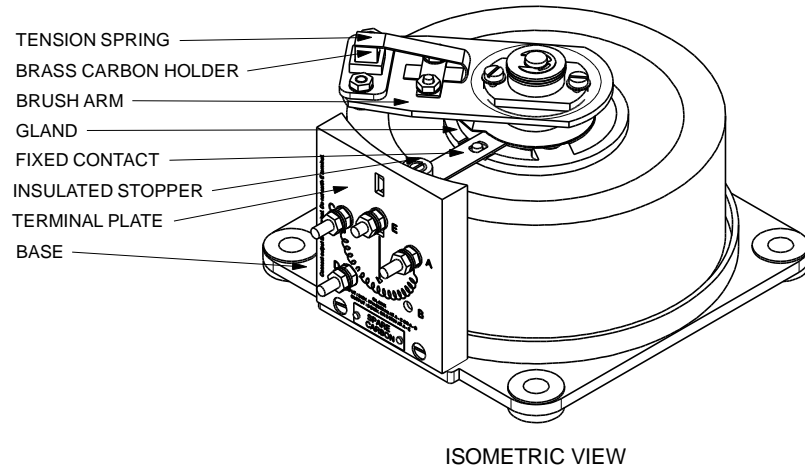
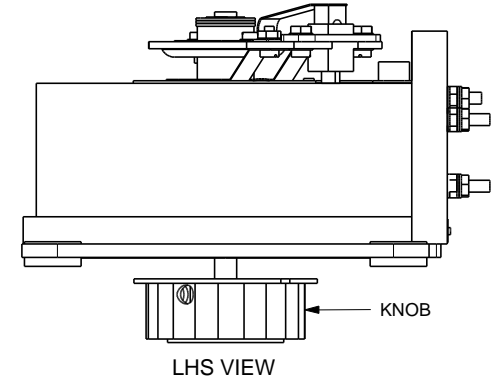
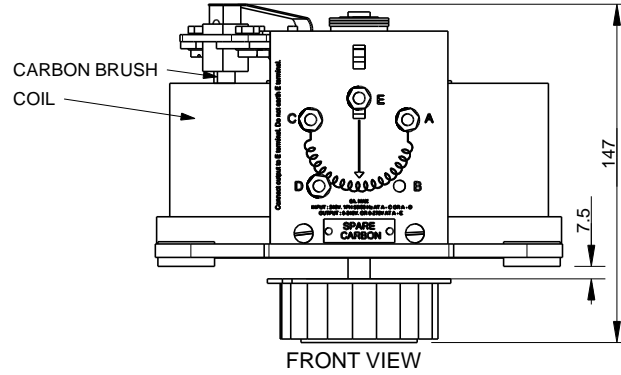
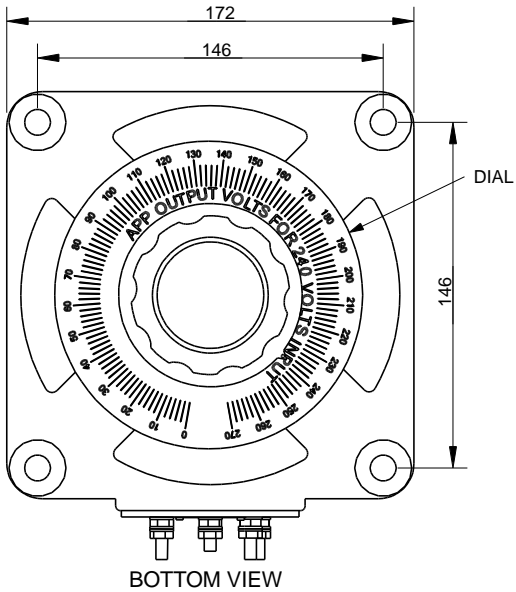
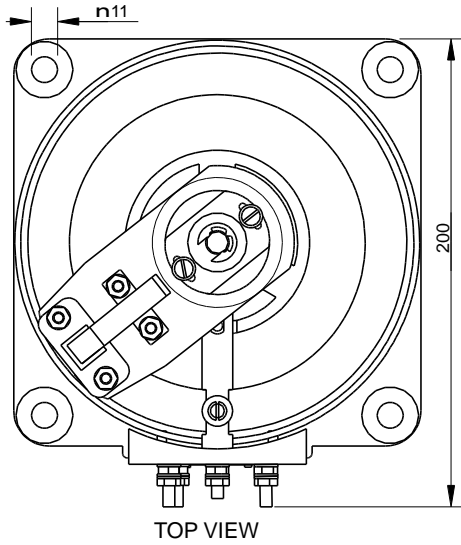
D

A

B

C

D



CLIENT:-	Drawn RK	Checked MR	Drawn Date 18-4-2015	Approved By - Date MR 18-4-2015	Scale NTS
			TITLE:- FLUSH / OPEN / BACK OF PANEL MOUNTING TYPE: 6F-1		
			DWG NO:- VAC/VAR/GA/7/42015		SHEET No: 1-1

1

2

3

4

5

6