

1

2

3

4

5

6

A

B

C

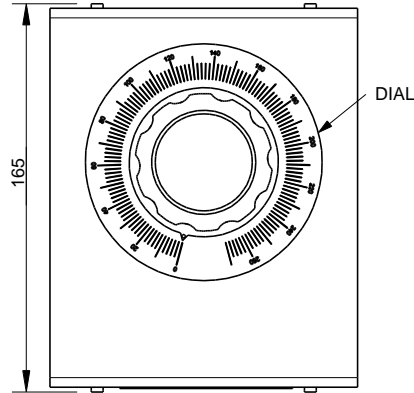
D

A

B

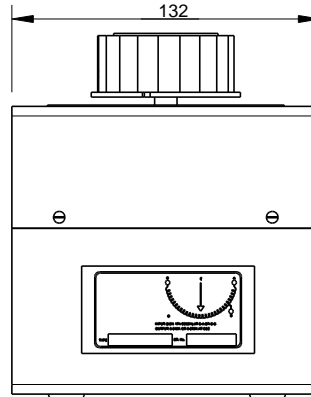
C

D



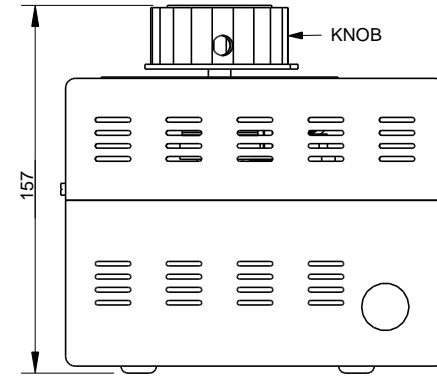
TOP VIEW

165



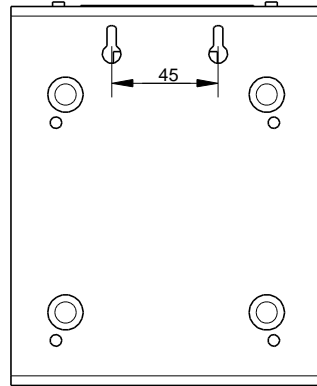
FRONT VIEW

132



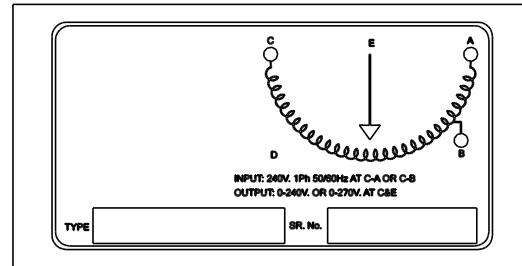
LHS VIEW

157



BOTTOM VIEW

45



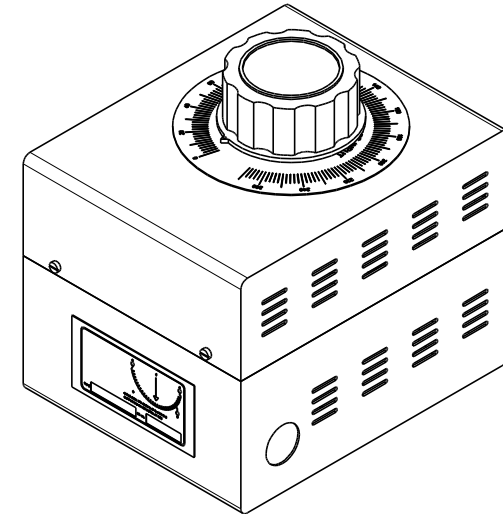
LABEL

INPUT: 240V, 1Ph 50/60Hz AT C-A OR C-B

OUTPUT: 0-240V OR 0-270V AT C&E

TYPE

SR. No.



ISOMETRIC VIEW

CLIENT:-

Drawn
RK

Checked
MR

Drawn Date
27-4-2015

Approved By - Date
MR 27-4-2015

Scale
NTS



TITLE:- TABLE / FLOOR / PORATBLE MOUNTING
TYPE: 1.5P-1

DWG NO:- VAC/VAR/GA/16/42015

SHEET No: 1-1

1

2

3

4

5

6