

1

2

3

4

5

6

A

B

C

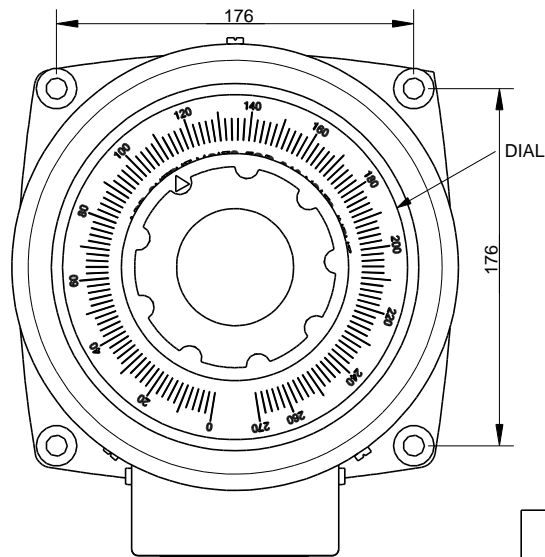
D

A

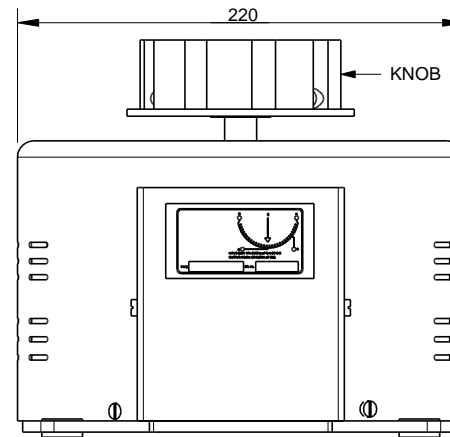
B

C

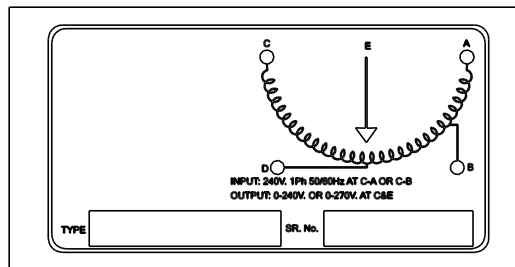
D



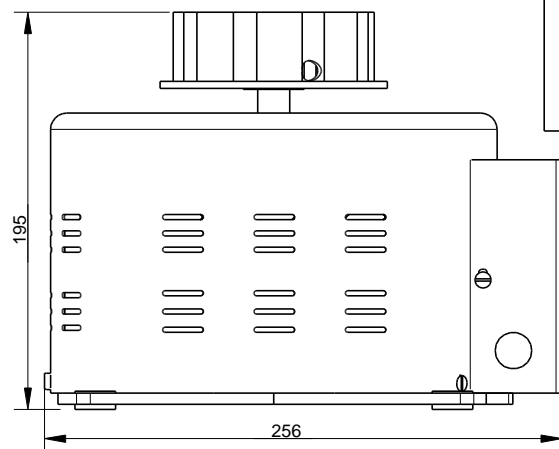
TOP VIEW



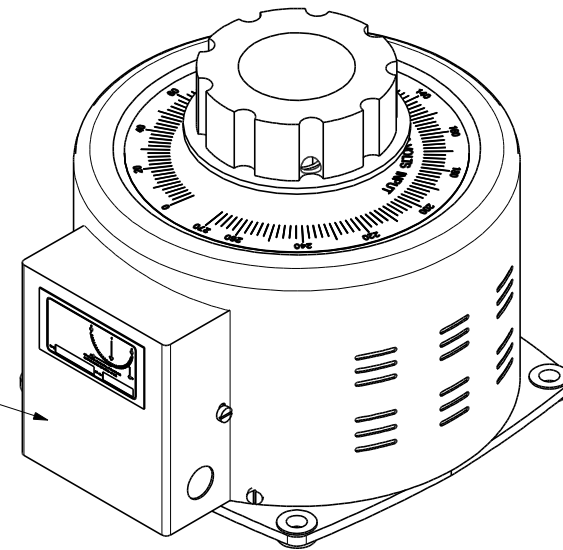
FRONT VIEW



LABEL



LHS VIEW



ISOMETRIC VIEW

CLIENT:-	Drawn RK	Checked MR	Drawn Date 29-4-2015	Approved By - Date MR 29-4-2015	Scale NTS
	TITLE:- TABLE / FLOOR / PORATBLE MOUNTING TYPE: 15P-1				SHEET No: 1-1
			DWG NO:- VAC/VAR/GA/24/42015		

1

2

3

4

5

6