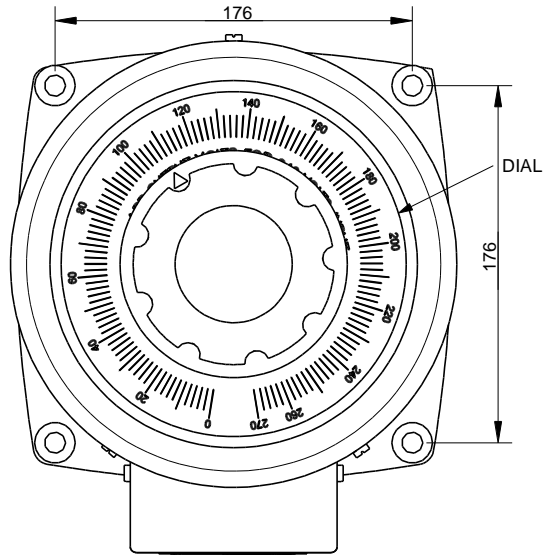


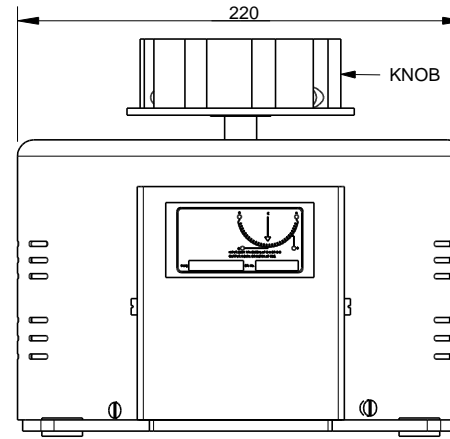
1 2 3 4 5 6

A

A



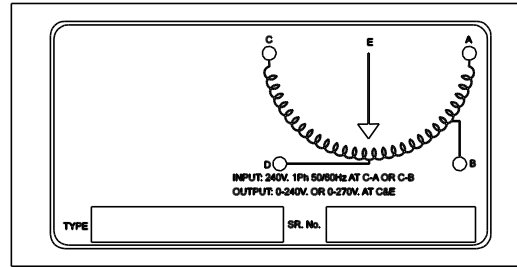
TOP VIEW



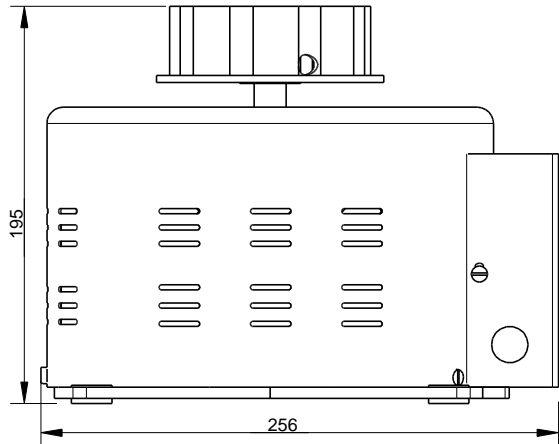
FRONT VIEW

B

B



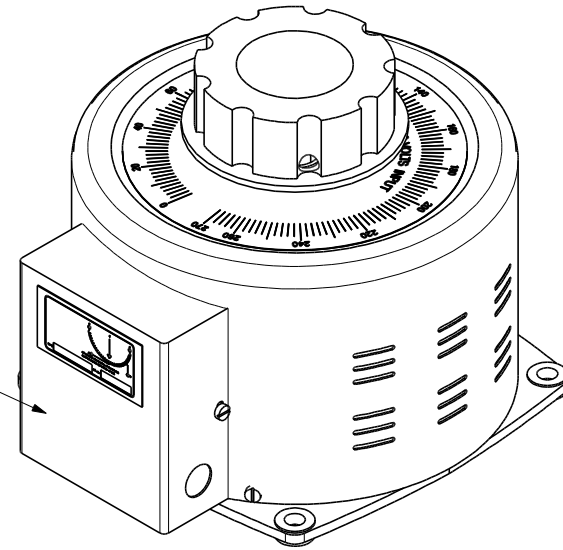
LABEL



LHS VIEW

C

C



ISOMETRIC VIEW

TERMINAL COVER

D

D

CLIENT:-	Drawn RK	Checked MR	Drawn Date 29-4-2015	Approved By - Date MR 29-4-2015	Scale NTS
	TITLE:- TABLE / FLOOR / PORTABLE MOUNTING TYPE: 17.5P-1				
DWG NO:- VAC/VAR/GA/25/42015				SHEET No: 1-1	



1 2 3 4 5 6