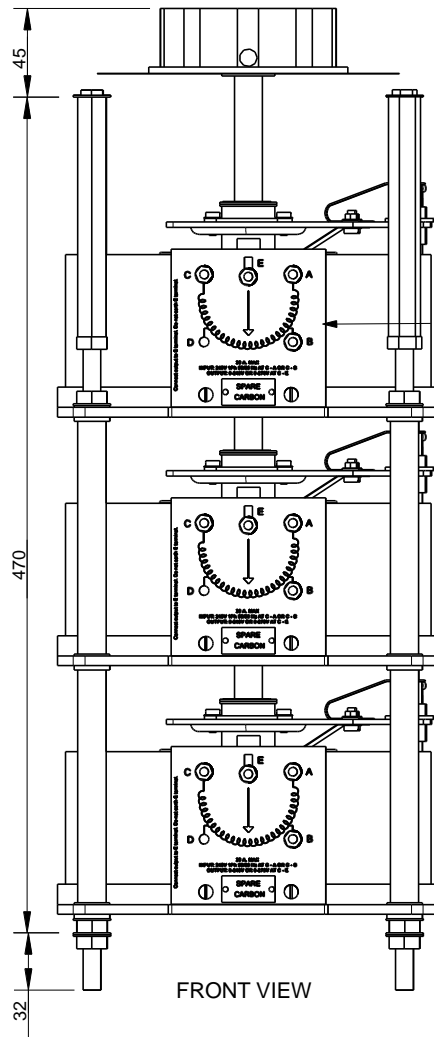
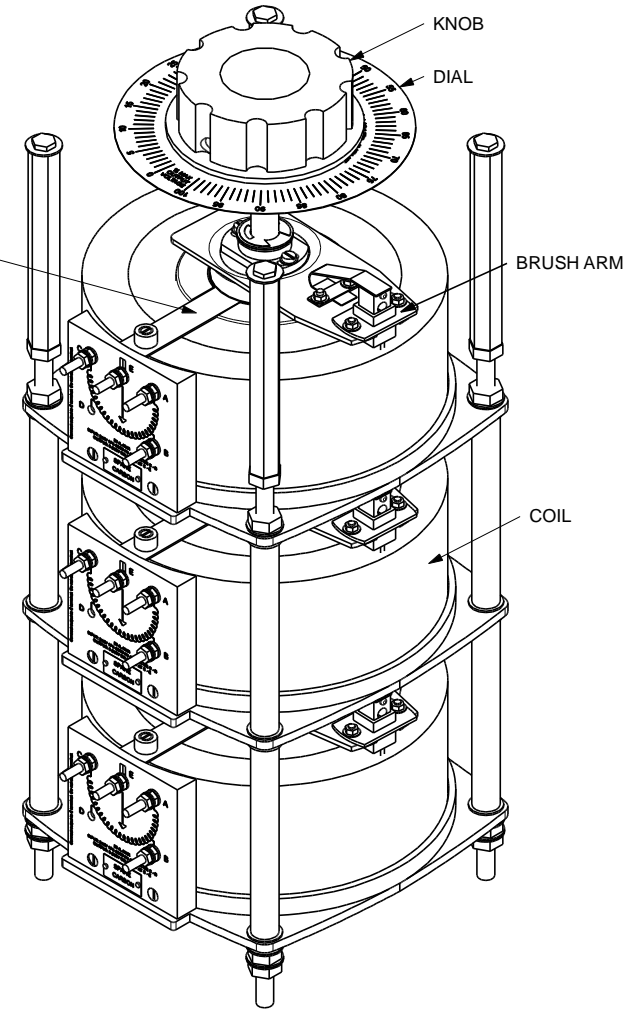


TOP VIEW



FRONT VIEW

FIXED CONTACT
TERMINAL PLATE



ISOMETRIC VIEW

CLIENT:-

Drawn
RK

Checked
MR

Drawn Date
27-5-2015

Approved By - Date
MR 28-5-2015

Scale
NTS



TITLE:- FLUSH / OPEN / BACK OF PANEL MOUNTING
TYPE: 20F-3

DWG NO:- VAC/VAR/GA/37/52015

SHEET No: 1-1