

1

2

3

4

5

6

A

A

B

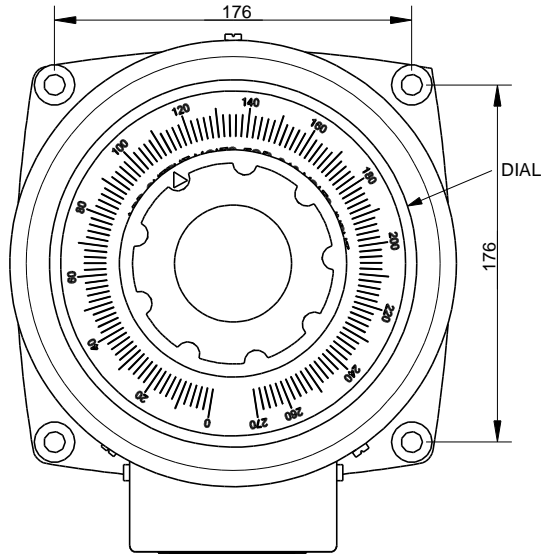
B

C

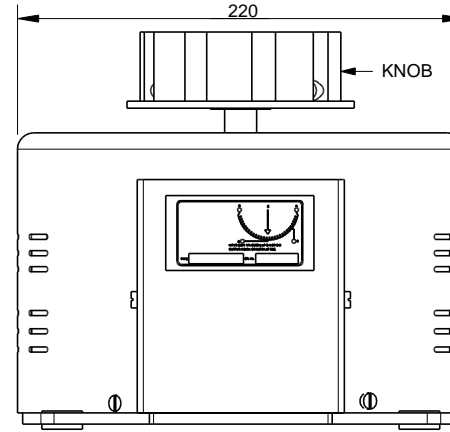
C

D

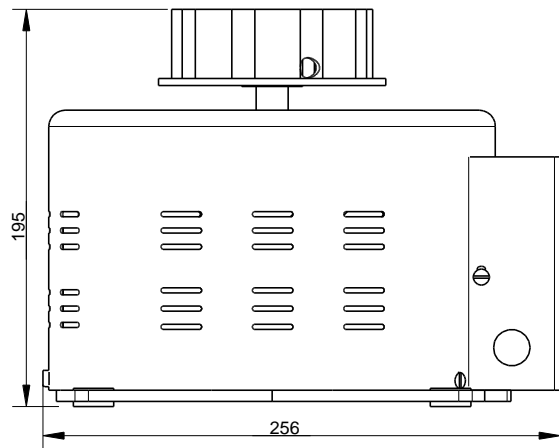
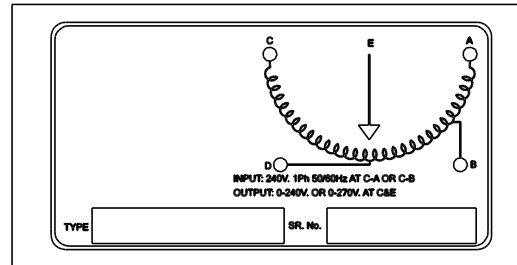
D



TOP VIEW

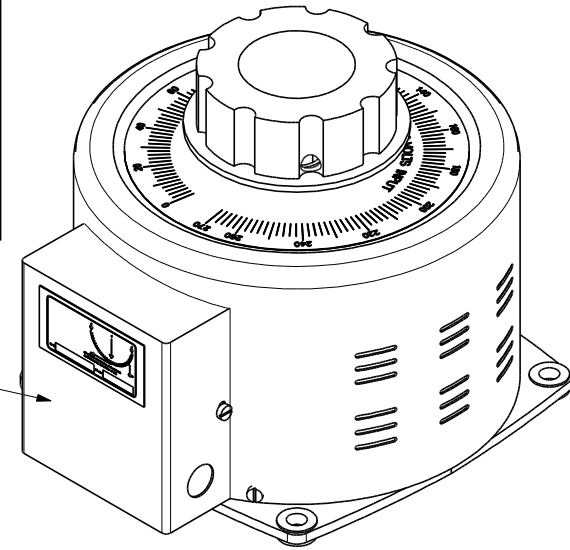


FRONT VIEW



LHS VIEW

TERMINAL COVER



ISOMETRIC VIEW

CLIENT:-

Drawn
RK

Checked
MR

Drawn Date
29-4-2015

Approved By - Date
MR 29-4-2015

Scale
NTS



TITLE:- TABLE / FLOOR / PORTABLE MOUNTING
TYPE: 20P-1

DWG NO:- VAC/VAR/GA/26/42015

SHEET No: 1-1

1

2

3

4

5

6