

1

2

3

4

5

6

A

B

C

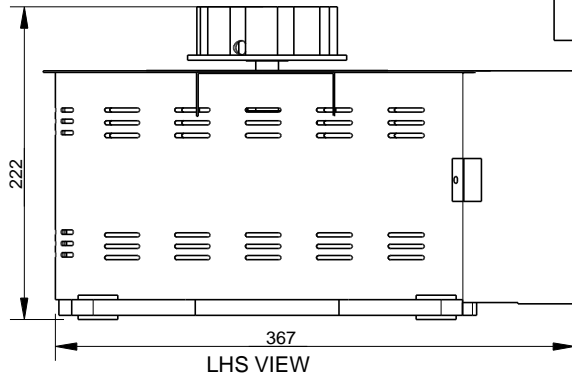
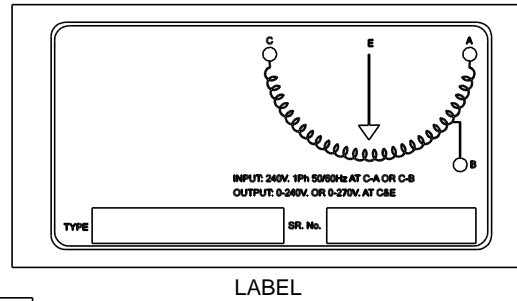
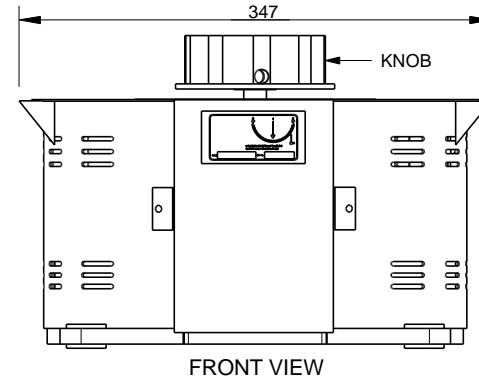
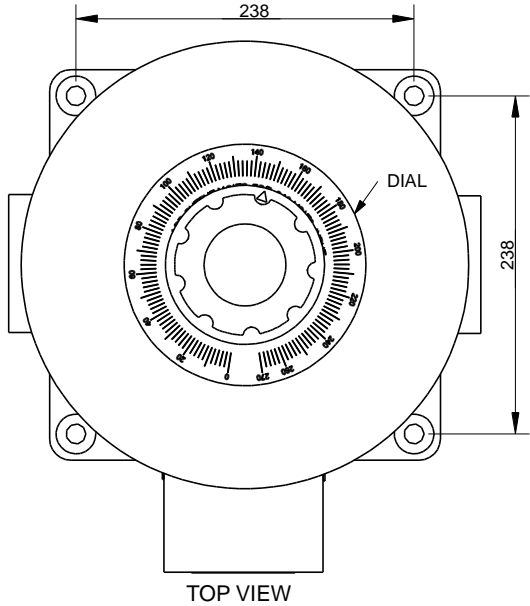
D

A

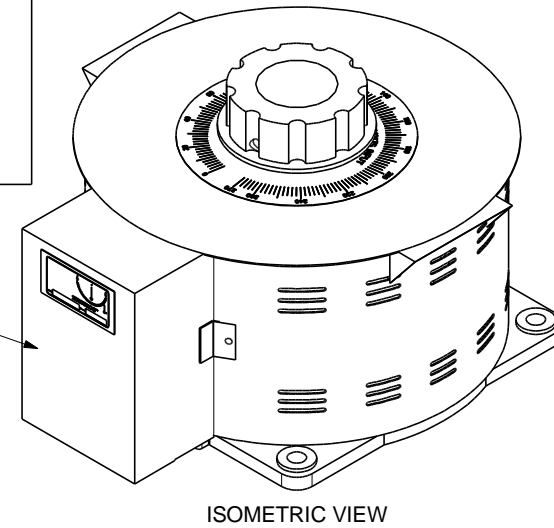
B

C

D



TERMINAL COVER



CLIENT:-

Drawn  
RK

Checked  
MR

Drawn Date  
30-4-2015

Approved By - Date  
MR 30-4-2015

Scale  
NTS



TITLE:- TABLE / FLOOR / PORTABLE MOUNTING  
TYPE: 28P-1

DWG NO:- VAC/VAR/GA/27/42015

SHEET No: 1-1

1

2

3

4

5

6