

1

2

3

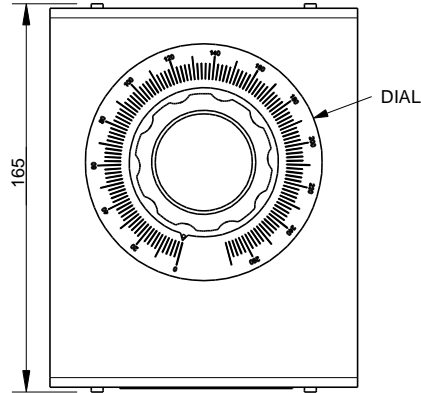
4

5

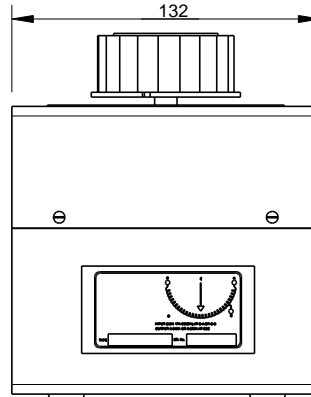
6

A

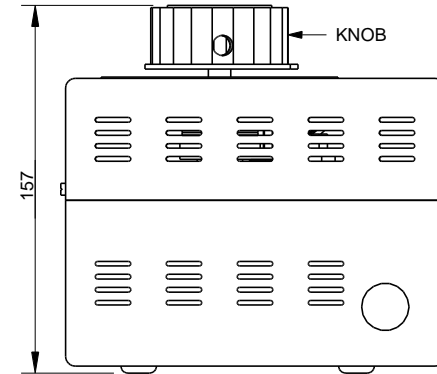
A



TOP VIEW



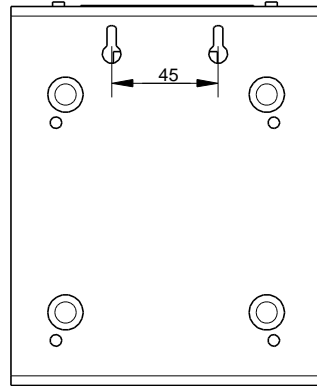
FRONT VIEW



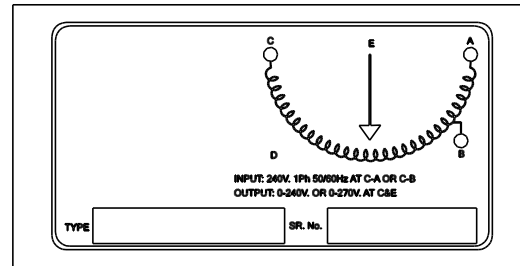
LHS VIEW

B

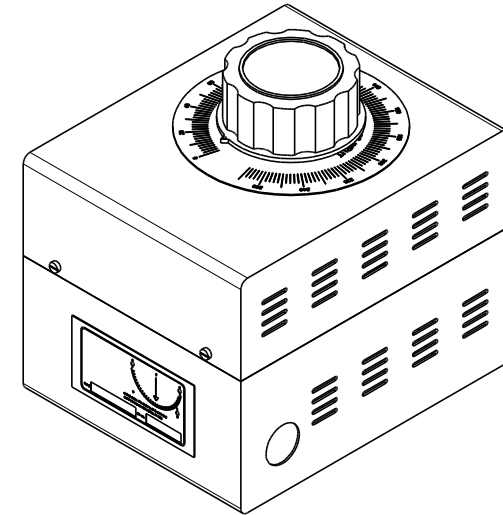
B



BOTTOM VIEW



LABEL



ISOMETRIC VIEW

C

C

D

D

CLIENT:-

Drawn
RK

Checked
MR

Drawn Date
27-4-2015

Approved By - Date
MR 27-4-2015

Scale
NTS



TITLE:- TABLE / FLOOR / PORATBLE MOUNTING
TYPE: 2P-1

DWG NO:- VAC/VAR/GA/17/42015

SHEET No: 1-1

1

2

3

4

5

6