

1

2

3

4

5

6

A

B

C

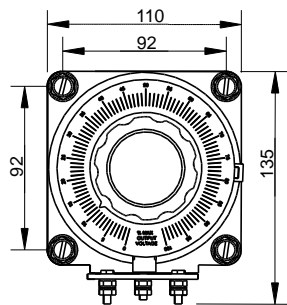
D

A

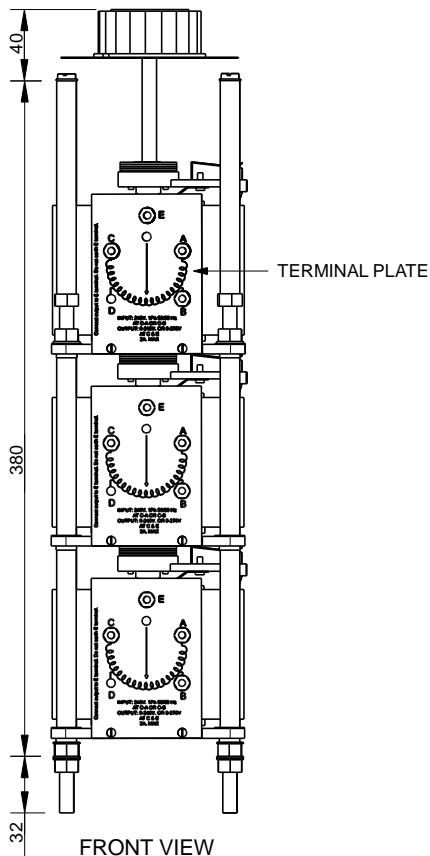
B

C

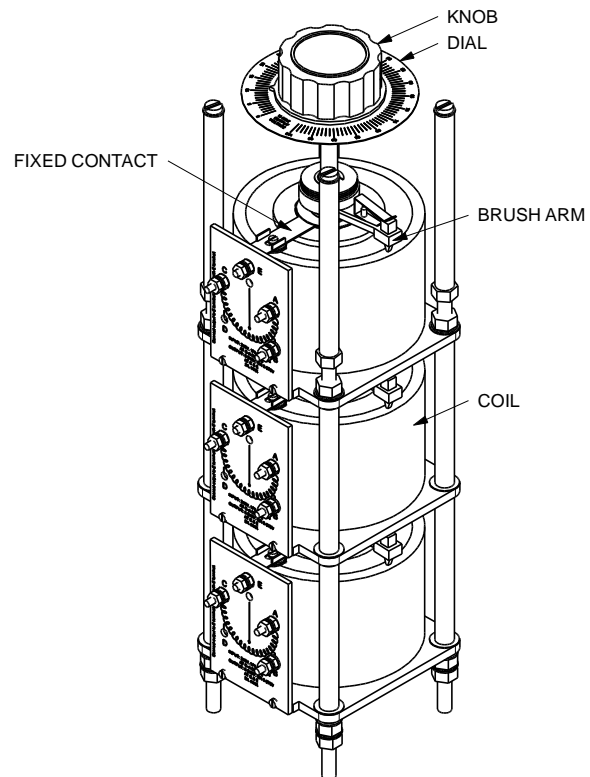
D



TOP VIEW



FRONT VIEW



ISOMETRIC VIEW

CLIENT:-

Drawn
RK

Checked
MR

Drawn Date
16-5-2015

Approved By - Date
MR 16-5-2015

Scale
NTS



TITLE:- FLUSH / OPEN / BACK OF PANEL MOUNTING
TYPE: 3F-3

DWG NO:- VAC/VAR/GA/29/52015

SHEET No: 1-1

1

2

3

4

5

6