

1

2

3

4

5

6

A

B

C

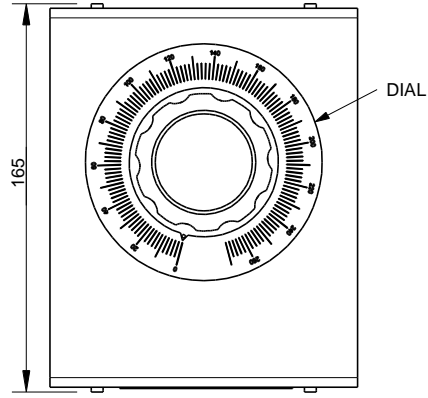
D

A

B

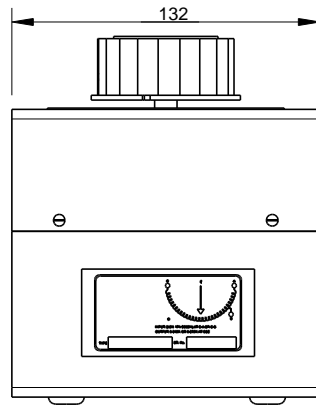
C

D



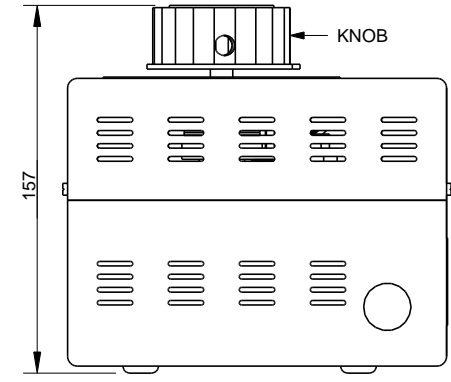
TOP VIEW

165



FRONT VIEW

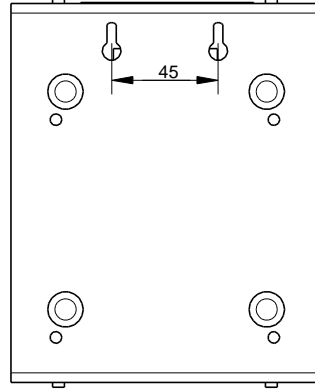
132



LHS VIEW

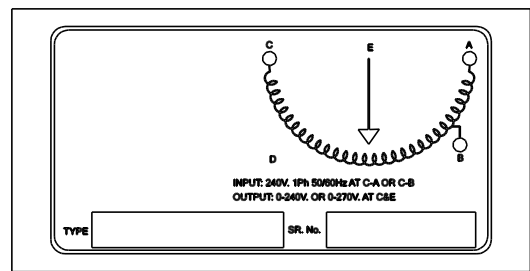
157

KNOB



BOTTOM VIEW

45

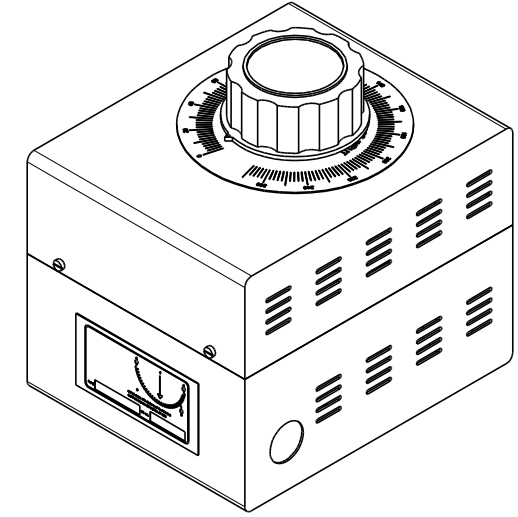


LABEL


INPUT: 240V, 1PH, 50/60Hz AT C-A OR C-B  
OUTPUT: 0-240V, OR 0-270V, AT C-E

TYPE

SR. No.



ISOMETRIC VIEW

CLIENT:-   MUMBAI 400 071	Drawn RK	Checked MR	Drawn Date 27-4-2015	Approved By - Date MR 27-4-2015	Scale NTS
	TITLE:- TABLE / FLOOR / PORATBLE MOUNTING TYPE: 3P-1				
DWG NO:- VAC/VAR/GA/18/42015				SHEET No: 1-1	

1

2

3

4

5

6