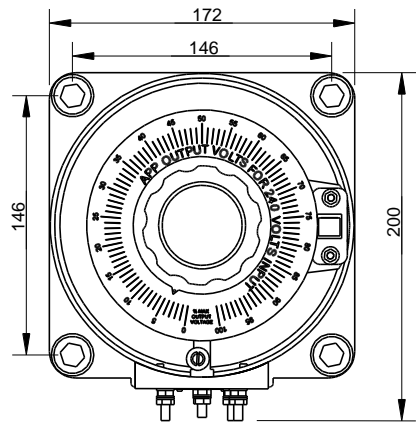


1 2 3 4 5 6

A

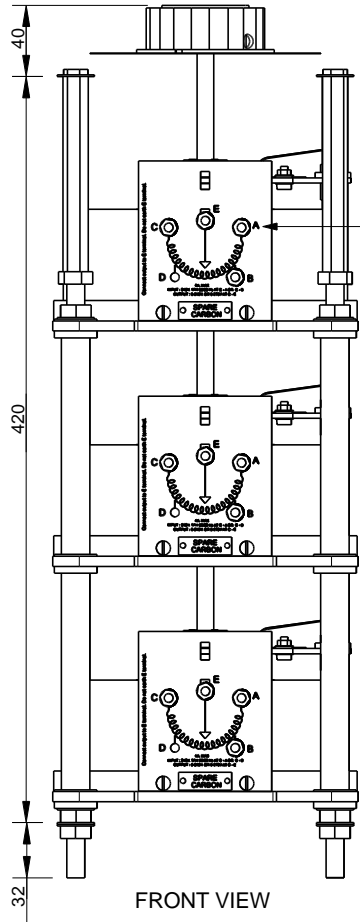


TOP VIEW

B

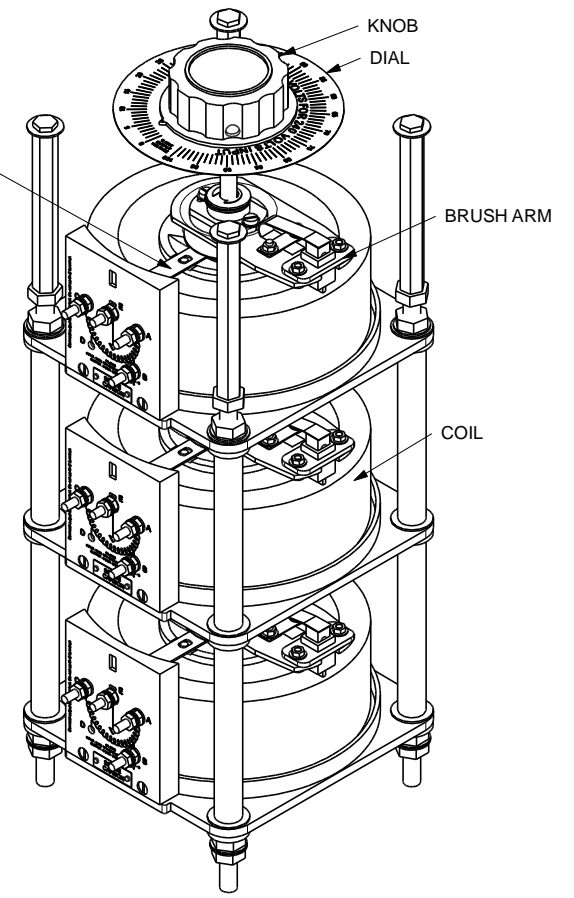
C

D



FRONT VIEW

TERMINAL PLATE




ISOMETRIC VIEW

A

B

C

D

CLIENT:-  	Drawn RK	Checked MR	Drawn Date 18-5-2015	Approved By - Date MR 18-5-2015	Scale NTS
	TITLE:- FLUSH / OPEN / BACK OF PANEL MOUNTING TYPE: 4F-3				
DWG NO:- VAC/VAR/GA/30/52015				SHEET No: 1-1	

1 2 3 4 5 6