

1

2

3

4

5

6

A

B

C

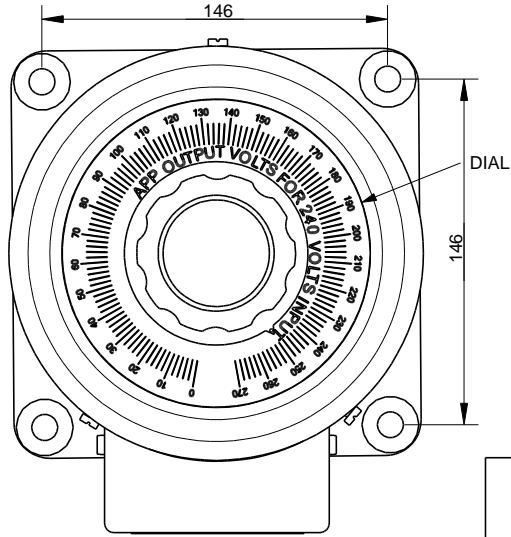
D

A

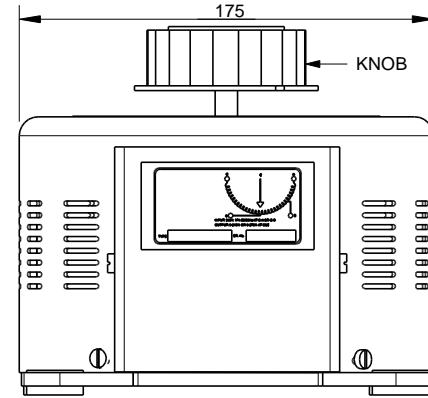
B

C

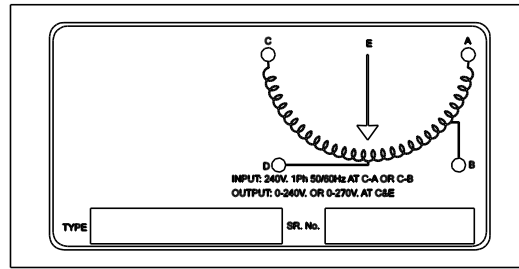
D



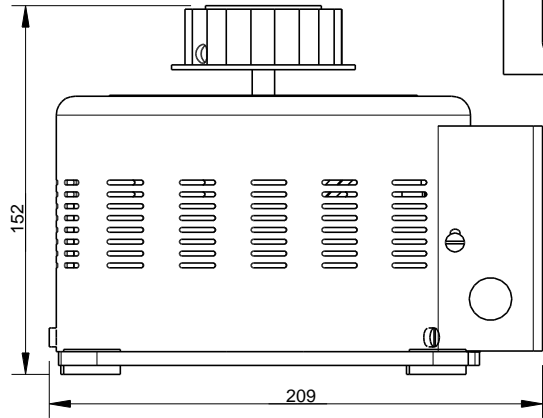
TOP VIEW



FRONT VIEW

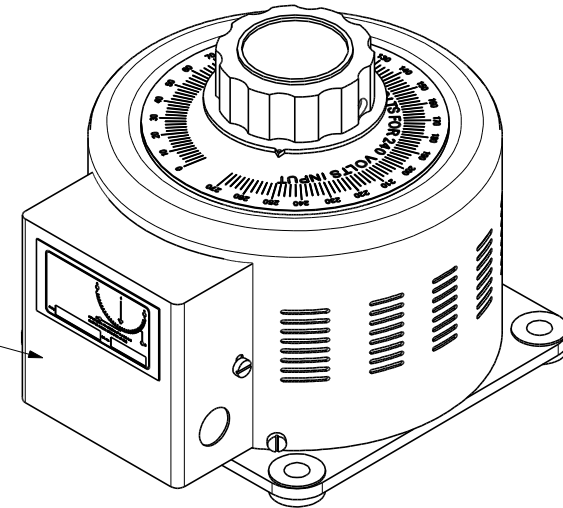


LABEL



LHS VIEW

TERMINAL COVER



ISOMETRIC VIEW

CLIENT:-

Drawn  
RK

Checked  
MR

Drawn Date  
28-4-2015

Approved By - Date  
MR 28-4-2015

Scale  
NTS



TITLE:- TABLE / FLOOR / PORTABLE MOUNTING  
TYPE: 4P-1

DWG NO:- VAC/VAR/GA/19/42015

SHEET No: 1-1

1

2

3

4

5

6