

1

2

3

4

5

6

A

B

C

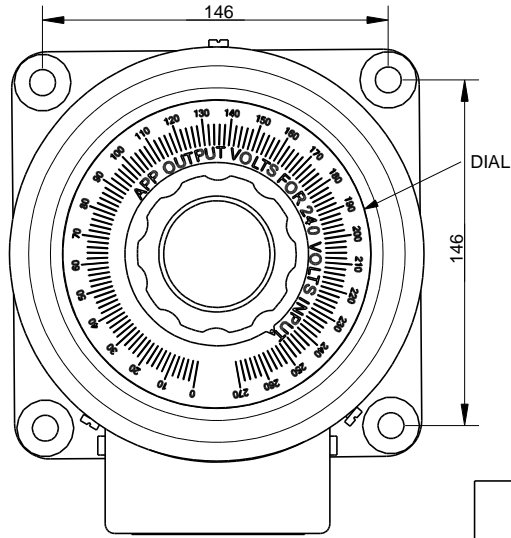
D

A

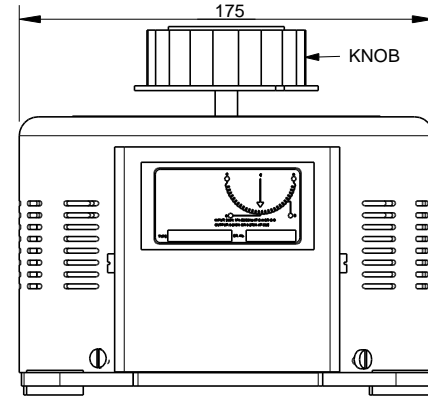
B

C

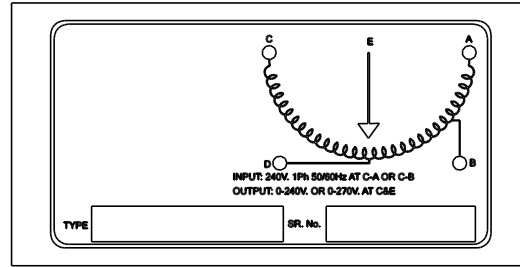
D



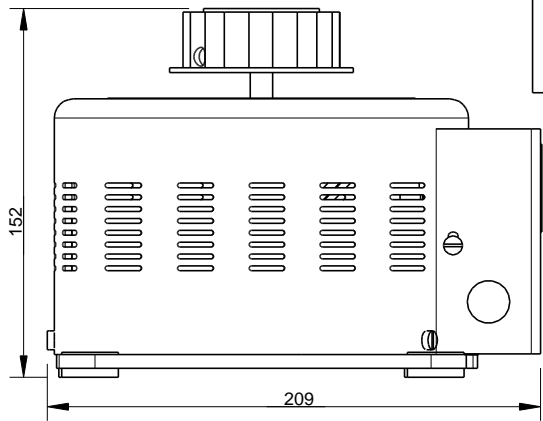
TOP VIEW



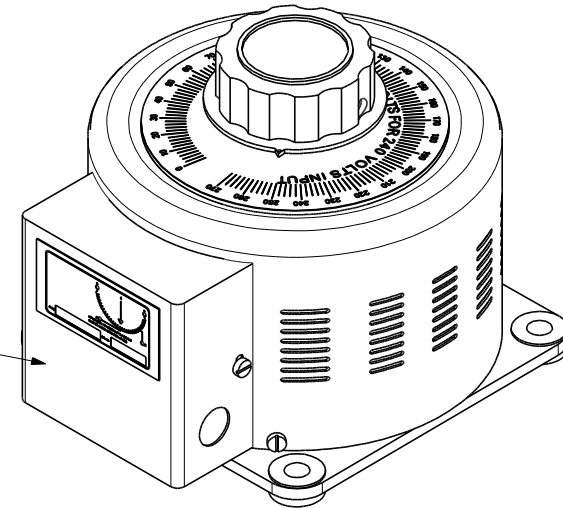
FRONT VIEW



LABEL



LHS VIEW



ISOMETRIC VIEW

CLIENT:-

Drawn
RK

Checked
MR

Drawn Date
28-4-2015

Approved By - Date
MR 28-4-2015

Scale
NTS



TITLE:- TABLE / FLOOR / PORATBLE MOUNTING
TYPE: 5P-1

DWG NO:- VAC/VAR/GA/20/42015

SHEET No: 1-1

1

2

3

4

5

6