

1

2

3

4

5

6

A

B

C

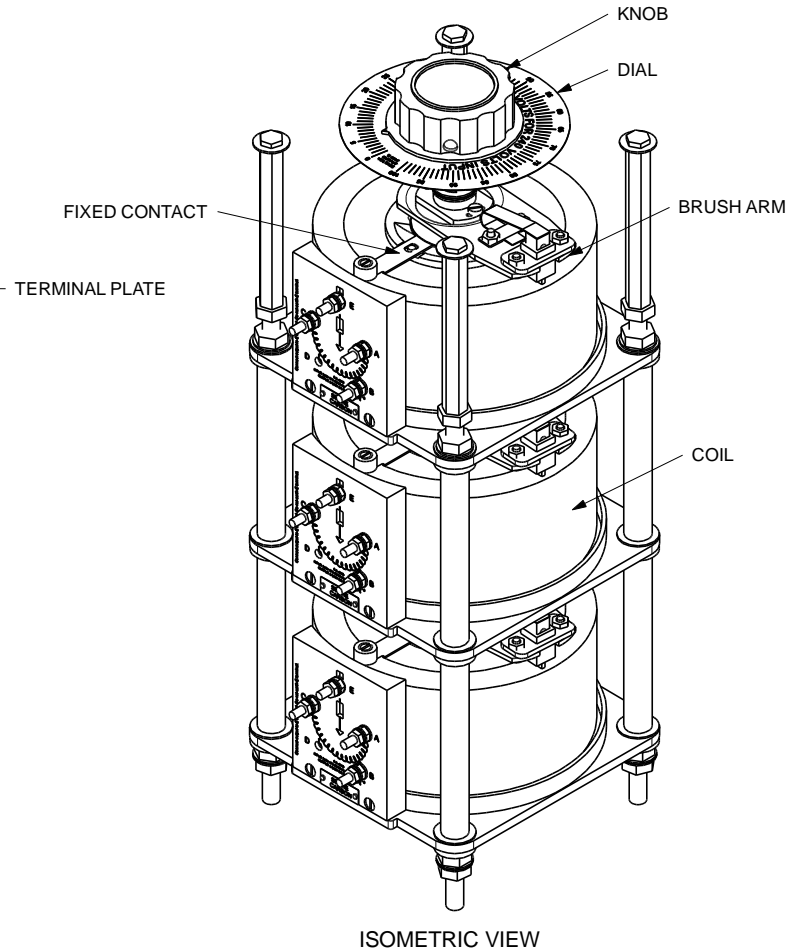
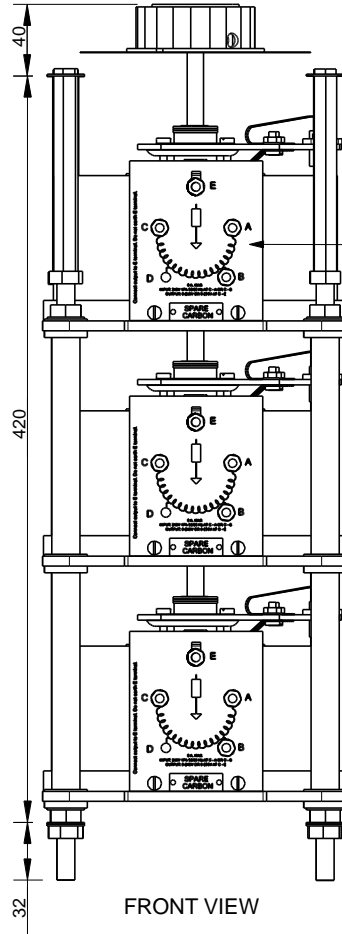
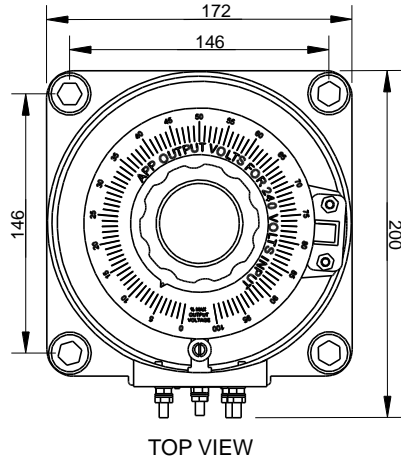
D

A

B

C

D



CLIENT:-	Drawn RK	Checked MR	Drawn Date 21-5-2015	Approved By - Date MR 21-5-2015	Scale NTS
	TITLE:- FLUSH / OPEN / BACK OF PANEL MOUNTING TYPE: 8F-3				SHEET No: 1-1
	DWG NO:- VAC/VAR/GA/33/52015				

1

2

3

4

5

6