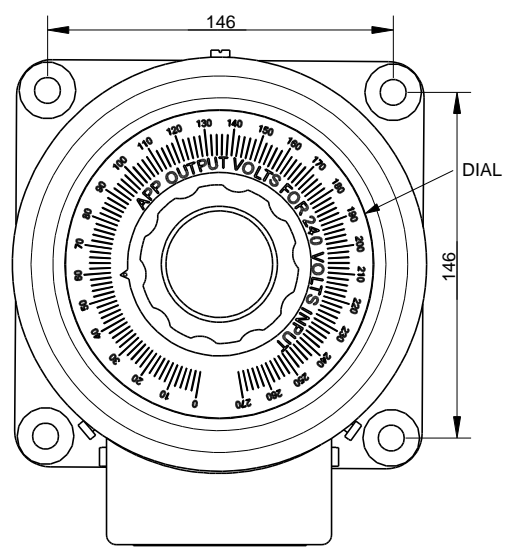


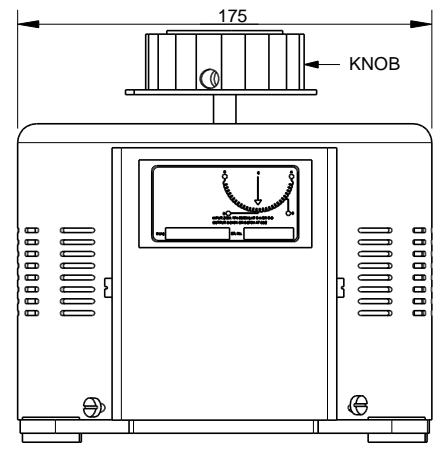
1 2 3 4 5 6

A
B
C
D

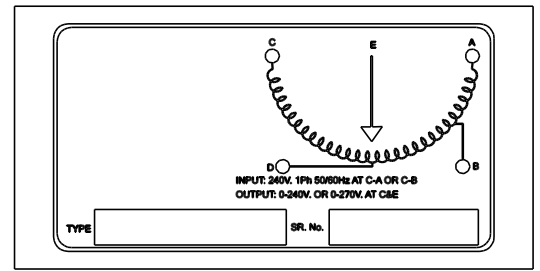
A
B
C
D



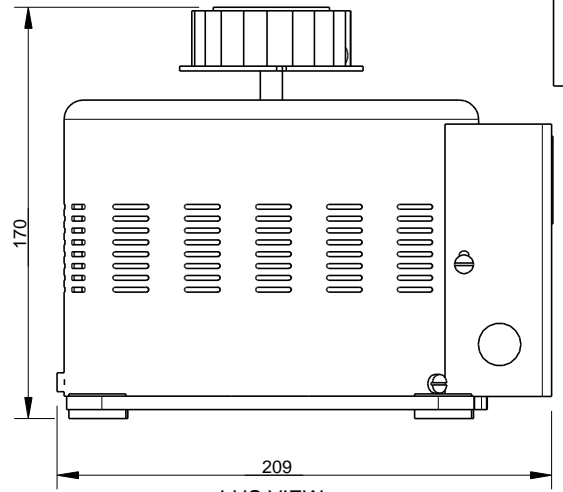
TOP VIEW



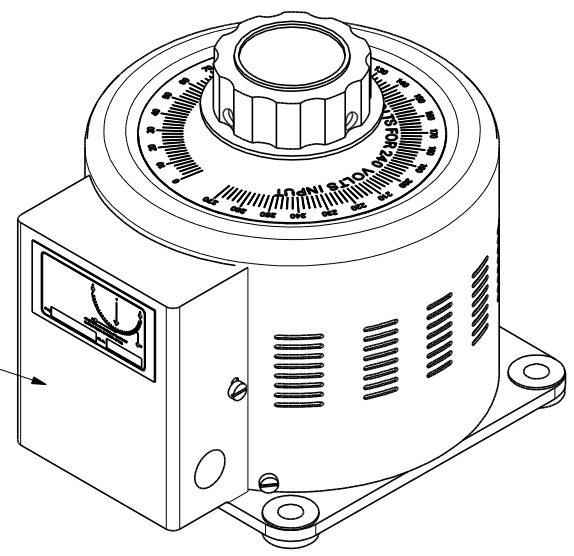
FRONT VIEW



LABEL



LHS VIEW



ISOMETRIC VIEW

TERMINAL COVER

CLIENT:-	Drawn RK	Checked MR	Drawn Date 29-4-2015	Approved By - Date MR 29-4-2015	Scale NTS
	TITLE:- TABLE / FLOOR / PORATBLE MOUNTING TYPE: 8P-1				
DWG NO:- VAC/VAR/GA/22/42015				SHEET No: 1-1	



1 2 3 4 5 6